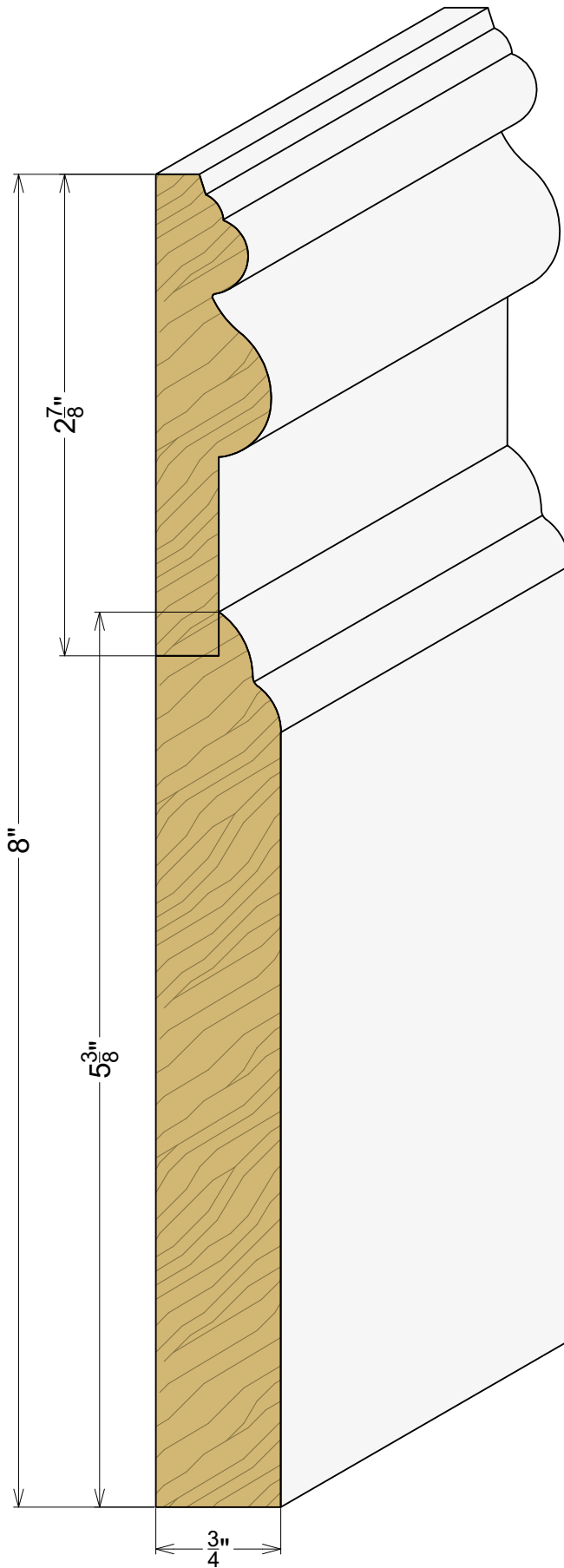


Part A
11/16" x 2-7/8"

Part B
3/4" x 5-3/8"
or
3/4" x 7-3/8"



AP 4209
3/4" x 8" or 10"
Two Part Base